

## Ball locking ring (rental version)



### 003.1151 Ball locking ring, rental version (supplement pay)

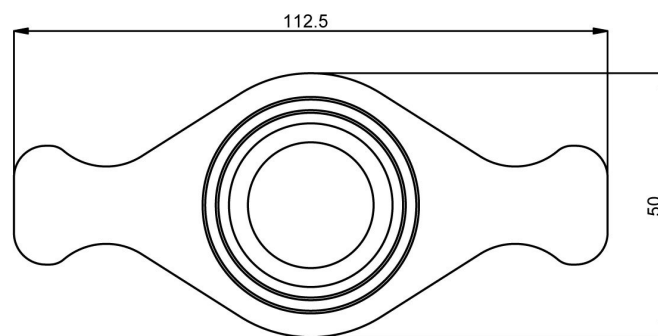
For easy fixation of the ball joint by means of the wings integrated in this

## Ball locking ring (rental version)

### Features

**Weight:** 0.45 kg

**Colour:** Black



Ball locking ring in rental construction  
for the use instead of the standard ball  
locking ring

