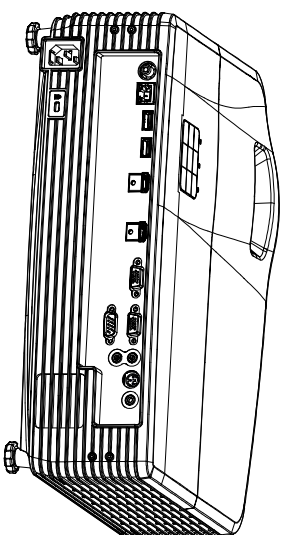
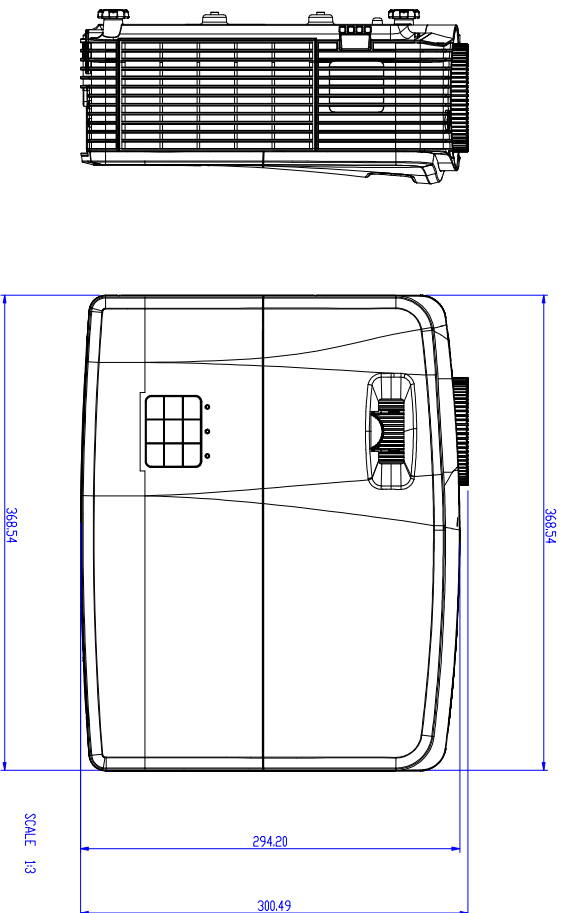


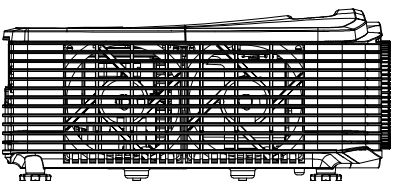
SCALE 1:3



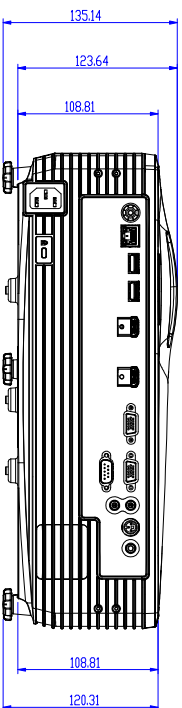
SCALE 1:3



SCALE 1:3



SCALE 1:3



Rev.	Author	Date	Description	ECR NO.	100-300	4.0	2000-	4.20	SCALE	UNIT	FINISH
A	Simpson	2/18/2019	FORMAL RELEASE	X	100-300	4.0 <td>2000-</td> <td>4.20 <td>SCALE</td> <td>UNIT</td> <td>FINISH</td> </td>	2000-	4.20 <td>SCALE</td> <td>UNIT</td> <td>FINISH</td>	SCALE	UNIT	FINISH