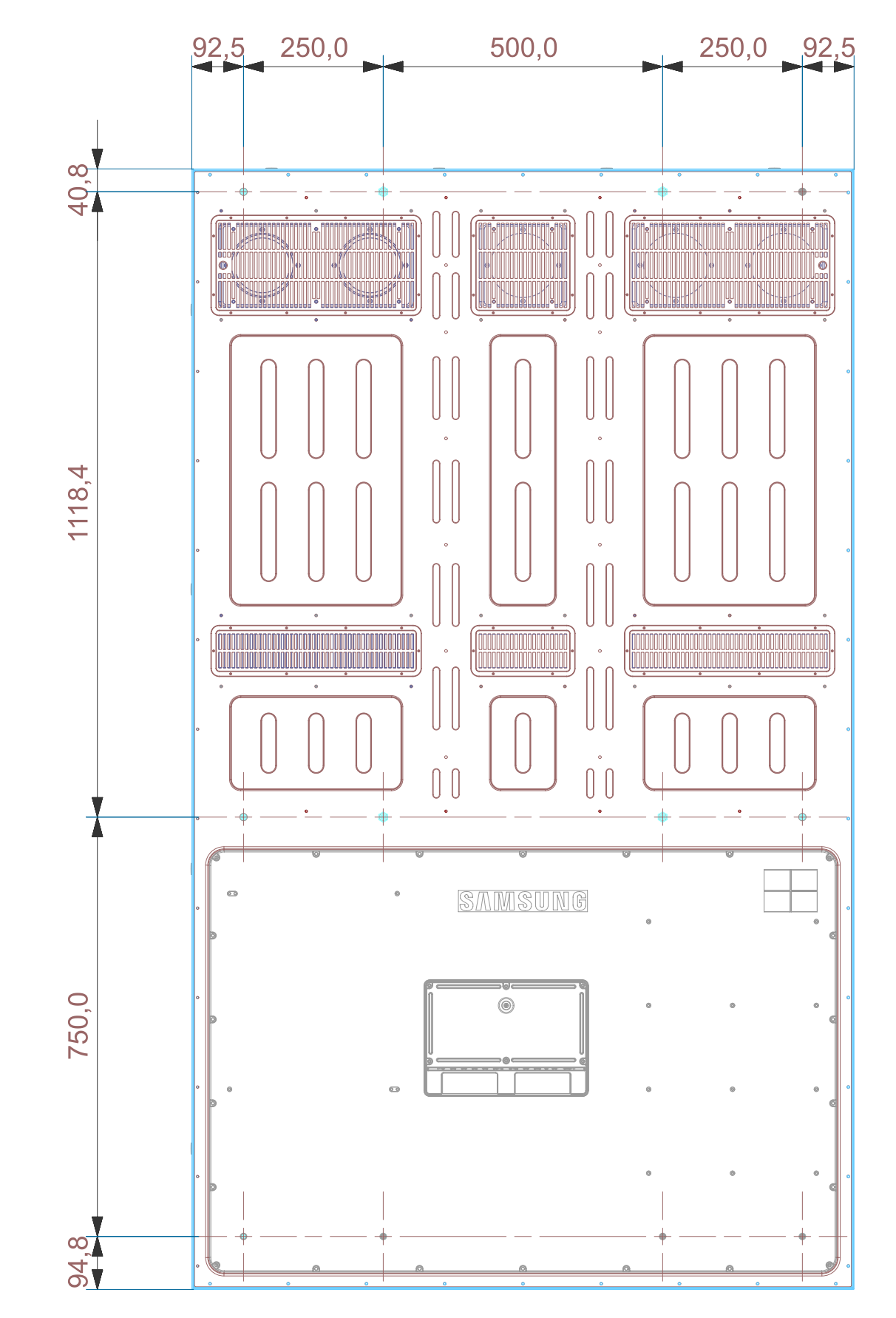
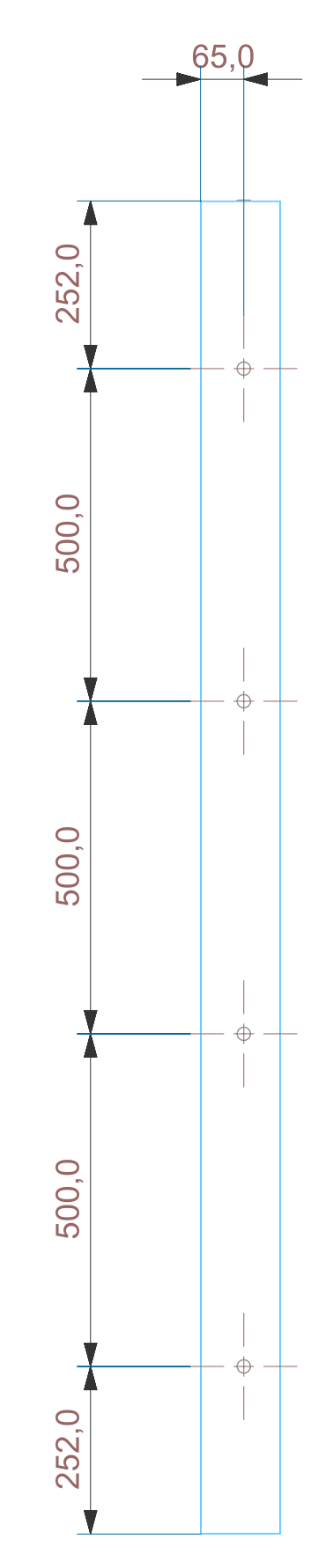
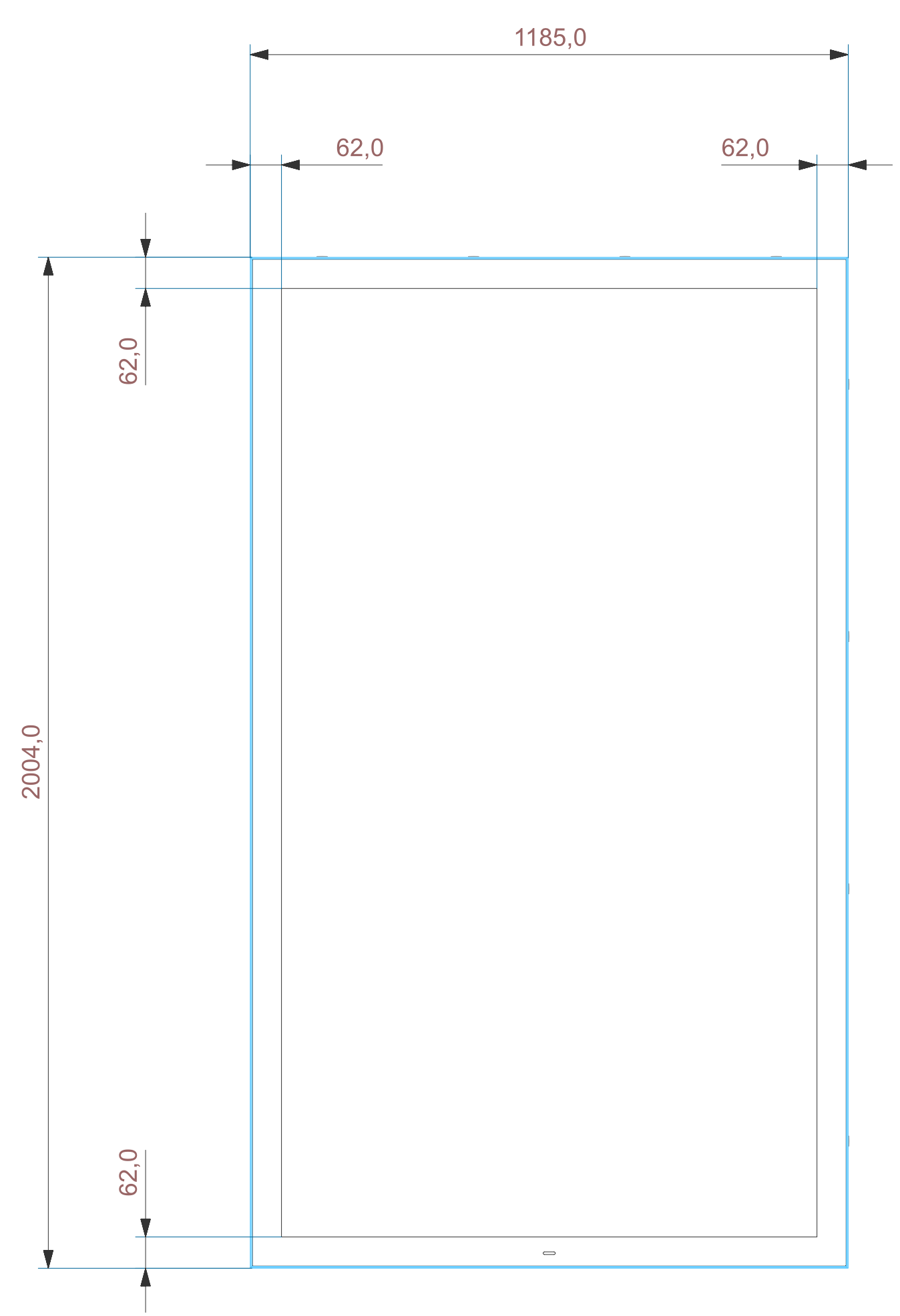
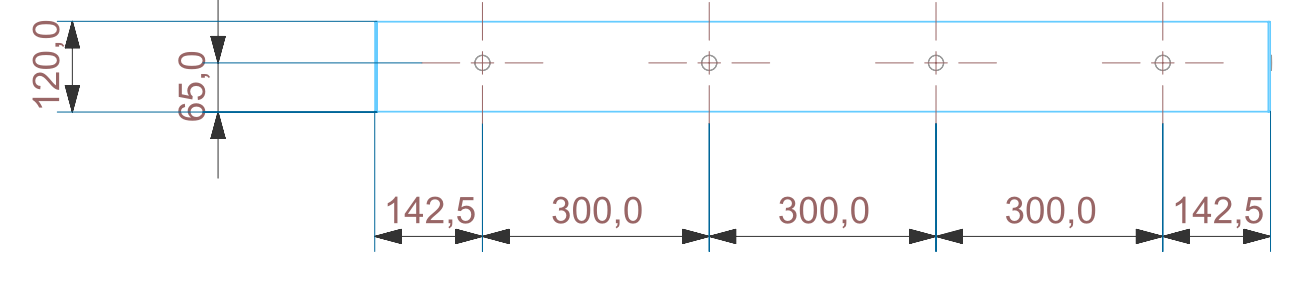


This drawing is property of SCD. Use or copy of this drawing without proper permission of the appropriate technical document managing department is prohibited. Copying with the threshold of substances which are specified in OIA-200

Rev. No	ED	CODE	RECORD	REMARK
32				
33				
34				

OHF 85" SET DIMENSION



PART NAME	UNIT	DRAWING BY	REVIEWED BY	APPROVED BY	SPECIFICATION	PROJECTION
OHF-85INCH.SLM-ASSY-SET	MM					1st
TOLERANCE						
SCALE						
S.M.S. 3000						SHEET NO
ELECTRONICS						DWG. Rev
CODE No.						