

# Projector Lens Replacement Procedure

Model Number

**LNS-W20/LNS-W21/LNS-S20/LNS-T20/LNS-T21**

## Notes on Lens Replacement



- Lens installation and replacement should be made by the qualified service personnel.
- Do not give a shock or excessive load to the projector or the lens components as the projector and lens components contain precision parts.
- When transporting the projector with the lens, remove the lens before transporting the projector. The lens and the lens shift mechanism may be damaged by improper handling during transportation.
- Before removing or installing the lens, be sure to turn off the projector, wait until the cooling fans stop, and turn off the main power switch.
- Do not touch the lens surface when removing or installing the lens.
- Keep fingerprints, dust or oil off the lens surface. Do not scratch the lens surface.
- Work on a level surface with a soft cloth under it to avoid scratching.
- If you remove and store the lens, attach the lens hole cover to the projector to keep off dust and dirt.
- When using the LNS-W21 lens unit, set the lens shift adjustment to the center of the screen. Otherwise, the edges of the screen may become darker or shadows may appear.

# ■ Installing or Removing the Optional Lens

## 1 Remove the lens hole cover

Keep the lens hole cover in safe for later use.  
Use the lens hole cover to the projector during transportation.

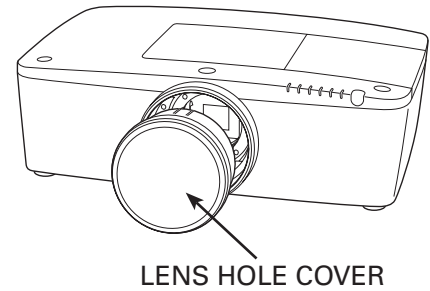


Fig-1

## 2 Mount the lens

1. Remove the protective caps (front and back) on the lens.
2. Insert the lens into the lens bracket so that the red marks on the lens and lens bracket can match.
3. Slowly turn the lens clockwise until it clicks. Make sure that the lens is fully inserted to the projector.

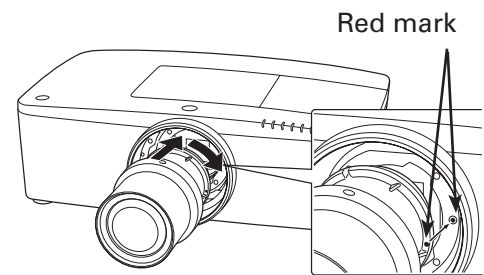


Fig-2

### Confirm of the lens operation

Turn the projector on and check lens shift, zoom and focus is operating properly.

NOTE; LNS-W21 cannot adjust the zoom.

## 3 Remove the lens

1. Press and hold the LENS button on the projector or the LENS SHIFT button on the remote control for more than 5 seconds to shift the lens to the center position.
2. Turn off the projector, wait until the cooling fans stop, and then unplug the AC power cord.
3. Push the lens release button and turn the lens counter-clockwise and then take it out.

NOTE: Be careful not to drop the lens.

LENS RELEASE BUTTON

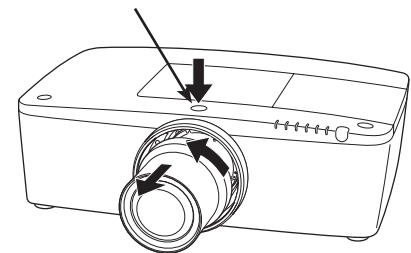


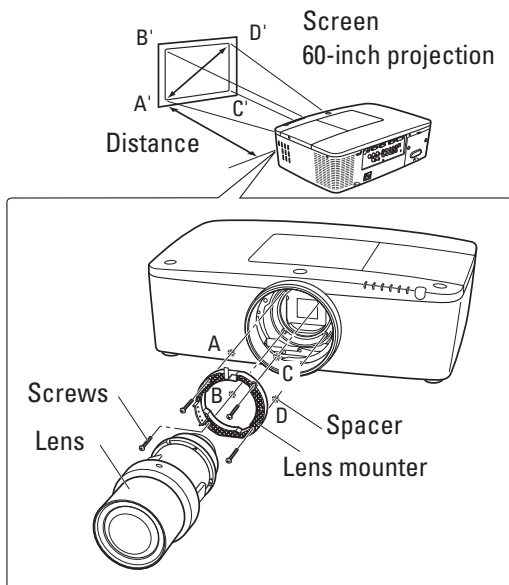
Fig-3

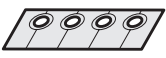
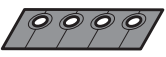
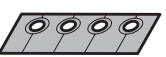
# Focus Correction

NOTE; Focus correction should be performed by the qualified service personnel.

When the lens is attached to the projector and images are being projected onto the screen, the peripheral focus may be out of focus in some localized areas. If this happens, insert the one of three kinds of spacers, in between the lens mounter and the projector unit to adjust the focus.

It is corrected in the direction where the position of the best focus in the part that corresponds to the opposite angle at the position in which the spacer was inserted is near to the projector. The corrected distance is determined by the thickness of the used spacers. As guide, the distance is adjusted by approximately 120 mm for each 0.1-mm thickness of the spacers. It is supplied for each 4 pieces with three kinds of spacers.



	Spacer "1" Color; Clear Thickness; 0.1 mm	Correction distance 120 mm/for 60-inch projection
	Spacer "2" Color; Black Thickness; 0.2 mm	Correction distance 240 mm/for 60-inch projection
	Spacer "3" Color; Cream Thickness; 0.3 mm	Correction distance 360 mm/for 60-inch projection

NOTE;

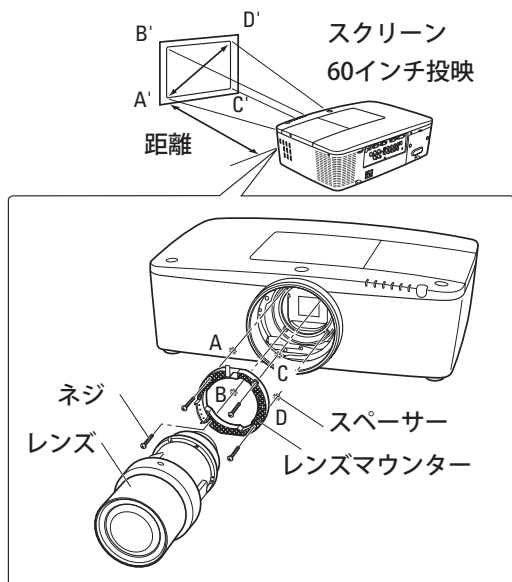
At the time of the lens mounter installation, please be careful not to put wiring between the lens mounter and the projector unit.

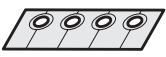
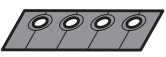

# フォーカスの補正のしかた

注意；このレンズのフォーカス補正作業は、サービス技術員が行ってください。

プロジェクターにレンズを取り付けてスクリーンに投映した時、周辺フォーカスが局部的にずれている場合があります。このような場合、プロジェクター本体とレンズマウンターの間に付属のスペーサーを挿入しフォーカスを調整してください。

スペーサーを挿入した位置の対角にあたる部分のベストフォーカスの距離がプロジェクターに近い方向（手前方向）に補正されます。挿入するスペーサーの厚みにより補正距離が決まります。補正距離の目安はスペーサーの厚さ 0.1 mm につき約 120 mm です。スペーサーは 3 種類各 4 枚同梱されています。



	スペーサー "1" 色 (クリア) 厚み ; 0.1 mm	60インチ投映時の 補正距離 ; 120 mm
	スペーサー "2" 色 (黒) 厚み ; 0.2 mm	60インチ投映時の 補正距離 ; 240 mm
	スペーサー "3" 色 (クリーム) 厚み ; 0.3 mm	60インチ投映時の 補正距離 ; 360 mm

注意；

レンズマウンター取り付け時に、配線を挟み込まないように注意してください。